

Ceres Three Way Kitchen Tap
Hot, cold & filtered water



Features

- ◆ Single lever handle dispenses hot/cold water
- ◆ Dedicated lever handle for filtered drinking water
- ◆ High quality ceramic valves
- ◆ Includes an integrated filter system with stainless steel filter cartridge housing
- ◆ Advanced, ceramic and carbon filter cartridge
- ◆ Exceptional filtration performance to below 1 Micron - removes and reduces contaminants including harmful bacteria, chlorine and lead
- ◆ Easy installation
- ◆ 5 year mechanical parts warranty

Material: Solid brass machined body and tubular brass spout

Tails: G 1/2" flexi-tails

Tap Height: 380mm

Spout Reach: 230mm

Minimum Water Pressure: 1 bar/15 psi

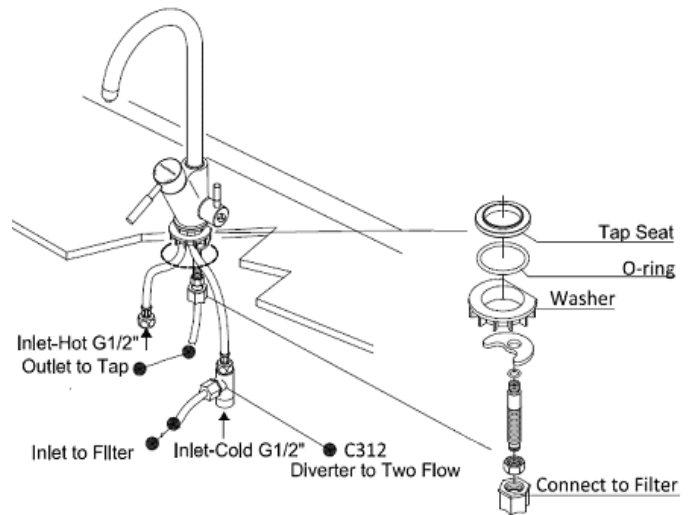
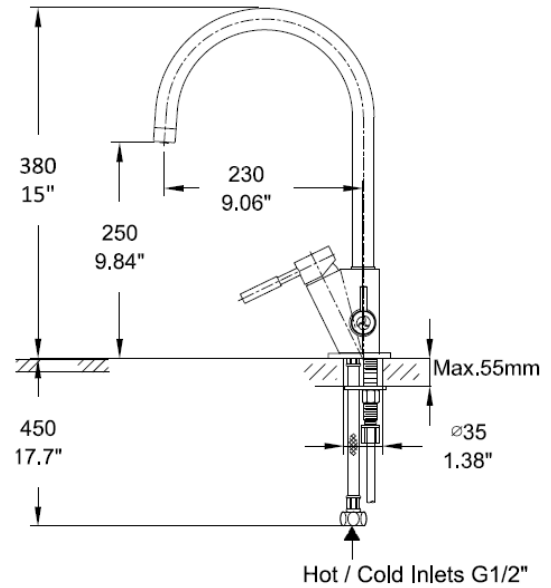
Maximum Water Pressure: 75 PSI (5 bar)

Flow: 3.5 litres per minute at a pressure of 1 bar/ 15 psi

Maximum Hot-Water Temperature: 70°C

Recommended Hot Water Temperature: 65°C

Installation Dimension Drawing



Ceres Filter Tap

Height 380mm (15")
Depth 230mm (9.06")

